

## gG 8.5 x 31.5 - 400V



Size	Current (A)	Voltage (V)	Cat. number w/o indicator	Ref. number w/o indicator	Cat. number with indicator	Ref. number with indicator	Voltage (V)	Ref. number with striker	Cat. number with striker	Pckg
8,5 x 31,5	0,5	400	FR8GG40V0.5	P218191J	-					10
8,5 x 31,5	1	400	FR8GG40V1	C218709J	-					10
8,5 x 31,5	2	400	FR8GG40V2	Q219227J	FR8GG40V2I	B222204J				10
8,5 x 31,5	4	400	FR8GG40V4	W222958J	FR8GG40V4I	X222959J				10
8,5 x 31,5	6	400	FR8GG40V6	A211025J	FR8GG40V6I	V201291J				10
8,5 x 31,5	8	400	FR8GG40V8	B213096J	FR8GG40V8I	B211026J				10
8,5 x 31,5	10	400	FR8GG40V10	A214613J	FR8GG40V10I	A212060J				10
8,5 x 31,5	12	400	FR8GG40V12	R216146J	FR8GG40V12I	C213097J				10
8,5 x 31,5	16	400	FR8GG40V16	P216650J	FR8GG40V16I	Y214105J				10
8,5 x 31,5	20	400	FR8GG40V20	F217677J	FR8GG40V20I	J215127J				10
8,5 x 31,5	25	400	FR8GG40V25	D218710J	FR8GG40V25I	S216147J				10
8,5 x 31,5	Neutral		FRN832	X211045J	FRN832	X211045J				10

## gG 10.3 x 38 - 400/500V



Size	Current (A)	Voltage (V)	Cat. number w/o indicator	Ref. number w/o indicator	Cat. number with indicator	Ref. number with indicator	Voltage (V)	Cat. number with striker	Ref. number with striker	Pckg
10,3 x 38	0,5	500	FR10GG50V0.5	C211027J						10
10,3 x 38	1	500	FR10GG50V1	B212061J						10
10,3 x 38	2	500	FR10GG50V2	D213098J	FR10GG50V2I	S216653J	400	FR10GG40V2P	G083703J	10
10,3 x 38	4	500	FR10GG50V4	X213598J	FR10GG50V4I	E217170J	400	FR10GG40V4P	D084758J	10
10,3 x 38	6	500	FR10GG50V6	K215128J	FR10GG50V6I	T218195J	400	FR10GG40V6P	Y084799J	10
10,3 x 38	8	500	FR10GG50V10	D217169J	FR10GG50V8I	V219231J	400	FR10GG40V8P	F083955J	10
10,3 x 38	10	500	FR10GG50V10	S218194J	FR10GG50V10I	E222207J	400	FR10GG40V10P	A084801J	10
10,3 x 38	12	500	FR10GG50V12	W219761J	FR10GG50V12I	H200751J	400	FR10GG40V12P	G083956J	10
10,3 x 38	16	500	FR10GG50V16	G200750J	FR10GG50V16I	H201809J	400	FR10GG40V16P	X084798J	10
10,3 x 38	20	500	FR10GG50V20	D211028J	FR10GG50V20I	X211551J	400	FR10GG40V20P	Z084800J	10
10,3 x 38	25	400	FR10GG40V25	E213099J	FR10GG40V25I	W212585J	250	FR10GG25V25P	H083957J	10
10,3 x 38	32	400	FR10GG40V32	A214107J	FR10GG40V32I	Z213600J	250	FR10GG25V32P	E083954J	10
10,3 x 38	Neutral		FRN1038	R211569J	FRN1038	R211569J				10

## gG 10.3 x 38 - 690V



Size	Current (A)	Voltage (V)	Cat. number w/o indicator	Ref. number w/o indicator	Cat. number with indicator	Ref. number with indicator	Voltage (V)	Cat. number with striker	Ref. number with striker	Pckg
10,3 x 38	1	690	FR10GG69V1	R302787J						10
10,3 x 38	2	690	FR10GG69V2	S302788J						10
10,3 x 38	4	690	FR10GG69V4	T302789J						10
10,3 x 38	6	690	FR10GG69V6	V302790J						10
10,3 x 38	8	690	FR10GG69V8	W302791J						10
10,3 x 38	10	690	FR10GG69V10	X302792J						10
10,3 x 38	12	690	FR10GG69V12	Y302793J						10
10,3 x 38	16	690	FR10GG69V16	Z302794J						10

## gG 14 x 51 - 400 to 690V



Size	Current (A)	Voltage (V)	Cat.number w/o indicator	Ref.number w/o indicator	Voltage (V)	Cat.number with striker	Ref.number with striker	Pckg
14 x 51	1	690	<b>FR14GG69V1</b>	K218716J	500	-	-	10
14 x 51	2	690	<b>FR14GG69V2</b>	Y219234J	500	<b>FR14GG50V2P</b>	J211033J	10
14 x 51	4	690	<b>FR14GG69V4</b>	A219765J	500	<b>FR14GG50V4P</b>	H212067J	10
14 x 51	6	690	<b>FR14GG69V6</b>	H222210J	500	<b>FR14GG50V6P</b>	G214113J	10
14 x 51	8	690	<b>FR14GG69V8</b>	D222965J	500	<b>FR14GG50V8P</b>	R215134J	10
14 x 51	10	690	<b>FR14GG69V10</b>	L200754J	500	<b>FR14GG50V10P</b>	Z216153J	10
14 x 51	12	690	<b>FR14GG69V12</b>	L201812J	500	<b>FR14GG50V12P</b>	L217176J	10
14 x 51	16	690	<b>FR14GG69V16</b>	A211554J	500	<b>FR14GG50V16P</b>	Z218200J	10
14 x 51	20	690	<b>FR14GG69V20</b>	Z212588J	500	<b>FR14GG50V20P</b>	B219237J	10
14 x 51	25	690	<b>FR14GG69V25</b>	C213603J	500	<b>FR14GG50V25P</b>	L222213J	10
14 x 51	32	500	<b>FR14GG50V32</b>	W216656J	500	<b>FR14GG50V32P</b>	P200757J	10
14 x 51	40	500	<b>FR14GG50V40</b>	X218198J	500	<b>FR14GG50V40P</b>	P201815J	10
14 x 51	50	400	<b>FR14GG40V50</b>	Z219235J	400	<b>FR14GG40V50P</b>	D211557J	10
14 x 51	Neutral		<b>FRN1451</b>	M212600J		<b>FRN1451</b>	M212600J	10
Fuse extractor			<b>PMCP 14</b>	M097554A		<b>PMCP 14</b>	M097554A	1

## gG 22 x 58 - 400 to 690V

Size	Current (A)	Voltage (V)	Cat.number w/o indicator	Ref.number w/o indicator	Voltage (V)	Cat.number with striker	Ref.number with striker	Pckg
22 x 58	2	690	<b>FR22GG69V2</b>	F219241J	-	-		10
22 x 58	4	690	<b>FR22GG69V4</b>	H219772J	690	<b>FR22GG69V4P</b>	R214628J	10
22 x 58	6	690	<b>FR22GG69V6</b>	P222216J	690	<b>FR22GG69V6P</b>	A215648J	10
22 x 58	8	690	<b>FR22GG69V8</b>	L222972J	690	<b>FR22GG69V8P</b>	F216665J	10
22 x 58	10	690	<b>FR22GG69V10</b>	T200761J	690	<b>FR22GG69V10P</b>	W217691J	10
22 x 58	12	690	<b>FR22GG69V12</b>	J201304J	690	<b>FR22GG69V12P</b>	W218726J	10
22 x 58	16	690	<b>FR22GG69V16</b>	S201818J	690	<b>FR22GG69V16P</b>	L219775J	10
22 x 58	20	690	<b>FR22GG69V20</b>	P211038J	690	<b>FR22GG69V20P</b>	P222975J	10
22 x 58	25	690	<b>FR22GG69V25</b>	N212072J	690	<b>FR22GG69V25P</b>	M201307J	10
22 x 58	32	690	<b>FR22GG69V32</b>	F212594J	690	<b>FR22GG69V32P</b>	S211041J	10
22 x 58	40	690	<b>FR22GG69V40</b>	J213609J	690	<b>FR22GG69V40P</b>	R212075J	10
22 x 58	50	690	<b>FR22GG69V50</b>	P214626J	690	<b>FR22GG69V50P</b>	M213612J	10
22 x 58	63	690	<b>FR22GG69V63</b>	Y215646J	500	<b>FR22GG50V63P</b>	S214629J	10
22 x 58	80	690	<b>FR22GG69V80</b>	O217180J	500	<b>FR22GG50V80P</b>	F216159J	10
22 x 58	100	500	<b>FR22GG50V100</b>	E218205J	500	<b>FR22GG50V100P</b>	T217183J	10
22 x 58	125	400	<b>FR22GG40V125</b>	J219773J	400	<b>FR22GG40V125P</b>	H218208J	10
22 x 58	Neutral		<b>FRN2258</b>	R213616J		<b>FRN2258</b>	R213616J	10
Fuse extractor			<b>PMCP20+22</b>	K100036A		<b>PMCP20+22</b>	K100036A	1

**Functions**

gG curve industrial fuse (black marking) – NF EN 60269-1 and 2-1 compliant.  
Protection for power cables and equipment except motors.  
Selective coordination between two fuses two ratings apart (e.g. 160A and 100A).  
Breaking capacity: 20 kA for 8.5 x 31.5 fuses - 80 to 120 kA for other sizes at rated voltage.

**Applications**

Protection from overloads and short circuits at all levels in power distribution.  
Mains, branch circuits, service entrance equipment.



for sizes 10, 14 and 22

**To select a fuse holder, fuse disconnecter or fuse switch-disconnector for our ferrule-style fuses, turn to pages 14 to 18.**

**For further information on our ferrule fuse lines, consult our complete technical catalog The Advisor on CD-ROM or on our Web site at**

<http://www.ferrazshawmut.com/en/act-e-advisor.php>

**under the heading IEC general purpose fuses > ferrule fuses**

**Modulostar breakthrough**  
a range for every kind of protection now on the shelves!

- Modulostar fuse holders and fuse disconnectors meet every need for ferrule-style fuses, from 8mm to 27mm in diameter. And they cover applications from low voltage power distribution in residential and office environments to protection of high power electronic devices in enclosures. Only a brand name signed by a global leader in the industry can guarantee an OEM or electrical contractor that his customer is getting top-quality components.
- CMS 8, 10, 14, 22, 27 and USFM models are now available on the shelves.

[www.ferrazshawmut.com/Modulostar](http://www.ferrazshawmut.com/Modulostar)

**Compatible**

Standard width for a perfect fit in enclosures

**Easy to use**

Dual position DIN rail snap for easier mounting and dismounting

**Connections**

Upstream comb busbar connection

**Flexibility**

Accessory kit for multi-pole assemblies

**Communication**

The Ferraz Shawmut indicator eye for instant blown fuse detection

**Ergonomic**

A new ergonomically designed handle for easier opening

FERRAZ SHAWMUT SAS  
1, rue Jean Novel  
59625 Vileurbaine Cedex  
France  
Tel : + 33 (0)4 72 22 66 11  
Fax : + 33 (0)4 72 22 67 13  
[www.ferrazshawmut.com](http://www.ferrazshawmut.com)

FERRAZ SHAWMUT Inc  
374, Merrimac Street,  
Newburyport, MA 01950 - 1998  
USA  
Phone : 978-462-6662  
Fax : 978-462-0181  
[www.ferrazshawmut.com](http://www.ferrazshawmut.com)

## aM 8.5 x 31,5 - 400V

Size	Current (A)	Voltage (V)	Cat. number w/o indicator	Ref. number w/o indicator	Cat. number with indicator	Ref. number with indicator	Voltage (V)	Cat. number with striker	Ref. number with striker	Pckg
8,5 x 31,5	1	400	<b>FR8AM40V1</b>	C217168J						10
8,5 x 31,5	2	400	<b>FR8AM40V2</b>	R218193J						10
8,5 x 31,5	4	400	<b>FR8AM40V4</b>	S219229J						10
8,5 x 31,5	6	400	<b>FR8AM40V6</b>	C222205J						10
8,5 x 31,5	8	400	<b>FR8AM40V8</b>	F200749J						10
8,5 x 31,5	10	400	<b>FR8AM40V10</b>	W201292J						10
8,5 x 31,5	Neutral		<b>FRN832</b>	X211045J						10

## aM 10.3 x 38 - 400 to 690V

10,3 x 38	0,16	500	<b>FR10AM50V0.16</b>	E214617J		-				10
10,3 x 38	0,25	500	<b>FR10AM50V0.25</b>	M215130J		-				10
10,3 x 38	0,5	500	<b>FR10AM50V0.5</b>	W216150J		-				10
10,3 x 38	1	500	<b>FR10AM50V1</b>	F217171J	<b>FR10AM50V11</b>	X219233J				10
10,3 x 38	2	500	<b>FR10AM50V2</b>	H218714J	<b>FR10AM50V21</b>	G222209J	400	<b>FR10AM40V2P</b>	Z084984J	10
10,3 x 38	4	500	<b>FR10AM50V4</b>	W219232J	<b>FR10AM50V41</b>	K200753J	400	<b>FR10AM40V4P</b>	Y085259J	10
10,3 x 38	6	500	<b>FR10AM50V6</b>	F222208J	<b>FR10AM50V61</b>	K201811J	400	<b>FR10AM40V6P</b>	W085257J	10
10,3 x 38	8	500	<b>FR10AM50V8</b>	Z201295J	<b>FR10AM50V81</b>	Z211553J	400	<b>FR10AM40V8P</b>	A084985J	10
10,3 x 38	10	500	<b>FR10AM50V10</b>	Y211552J	<b>FR10AM50V101</b>	H213102J	400	<b>FR10AM40V10P</b>	B084986J	10
10,3 x 38	12	500	<b>FR10AM50V12</b>	A213601J	<b>FR10AM50V121</b>	D214110J	400	<b>FR10AM40V12P</b>	X085258J	10
10,3 x 38	16	500	<b>FR10AM50V16</b>	F214618J	<b>FR10AM50V161</b>	P215132J	400	<b>FR10AM40V16P</b>	C084757J	10
10,3 x 38	20	500	<b>FR10AM50V20</b>	X216151J	<b>FR10AM50V201</b>	V216655J	400	<b>FR10AM40V20P</b>	V085256J	10
10,3 x 38	25	400	<b>FR10AM40V25</b>	G217172J	<b>FR10AM40V251</b>	L217682J	250	<b>FR10AM25V25P</b>	A076038J	10
10,3 x 38	32	400	<b>FR10AM40V32</b>	J218715J		-	250	<b>FR10AM25V32P</b>	B076039J	10

NEW

10,3 x 38	1	690	<b>FR10AM69V1</b>	H302779J						10
10,3 x 38	2	690	<b>FR10AM69V2</b>	J302780J						10
10,3 x 38	4	690	<b>FR10AM69V4</b>	K302781J						10
10,3 x 38	6	690	<b>FR10AM69V6</b>	L302782J						10
10,3 x 38	8	690	<b>FR10AM69V8</b>	M302783J						10
10,3 x 38	10	690	<b>FR10AM69V10</b>	N302784J						10
10,3 x 38	12	690	<b>FR10AM69V12</b>	P302785J						10
10,3 x 38	Neutral		<b>FRN1038</b>	R211569J	<b>FRN1038</b>	R211569J				10

## aM 14 x 51 - 400 to 690V

14 x 51	0,25	690	<b>FR14AM69V0.25</b>	B212590J		-				10
14 x 51	0,5	690	<b>FR14AM69V0.5</b>	L213105J		-				10
14 x 51	1	690	<b>FR14AM69V1</b>	E213605J			500	<b>FR14AM50V1P</b>	W215644J	10
14 x 51	2	690	<b>FR14AM69V2</b>	H214114J			500	<b>FR14AM50V2P</b>	B216661J	10
14 x 51	4	690	<b>FR14AM69V4</b>	K214622J			500	<b>FR14AM50V4P</b>	C218203J	10
14 x 51	6	690	<b>FR14AM69V6</b>	S215135J			500	<b>FR14AM50V6P</b>	E219240J	10
14 x 51	8	690	<b>FR14AM69V8</b>	T215642J			500	<b>FR14AM50V8P</b>	N222215J	10
14 x 51	10	690	<b>FR14AM69V10</b>	Z216659J			500	<b>FR14AM50V10P</b>	S200760J	10
14 x 51	12	690	<b>FR14AM69V12</b>	M217177J			500	<b>FR14AM50V12P</b>	R201817J	10
14 x 51	16	690	<b>FR14AM69V16</b>	Q217686J			500	<b>FR14AM50V16P</b>	G211560J	10
14 x 51	20	690	<b>FR14AM69V20</b>	P218720J			500	<b>FR14AM50V20P</b>	E212593J	10
14 x 51	25	690	<b>FR14AM69V25</b>	E219769J			500	<b>FR14AM50V25P</b>	H213608J	10
14 x 51	32	500	<b>FR14AM50V32</b>	M222214J			500	<b>FR14AM50V32P</b>	N214625J	10
14 x 51	40	500	<b>FR14AM50V40</b>	Q200758J			500	<b>FR14AM50V40P</b>	X215645J	10
14 x 51	45	500	<b>FR14AM50V45</b>	L211035J			500	<b>FR14AM50V45P</b>	C216662J	10
14 x 51	50	400	<b>FR14AM40V50</b>	E211558J			400	<b>FR14AM40V50P</b>	D218204J	10
14 x 51	Neutral		<b>FRN1451</b>	M212600J				<b>FRN1451</b>	M212600J	10
Fuse extractor			<b>PMCP 14</b>	M097554A				<b>PMCP 14</b>	M097554A	1

## aM 22 x 58 - 400 to 690V

Size	Current (A)	Voltage (V)	Cat. number w/o indicator	Ref. number w/o indicator	Cat. number with indicator	Ref. number with indicator	Voltage (V)	Cat. number with striker	Ref. number with striker	Pckg
22 x 58	1	690	FR22AM69V1	M219776J			690	FR22AM69V1P	E215652J	10
22 x 58	2	690	FR22AM69V2	T222220J			690	FR22AM69V2P	J216162J	10
22 x 58	4	690	FR22AM69V4	Q222976J			690	FR22AM69V4P	A217695J	10
22 x 58	6	690	FR22AM69V6	Y200765J			690	FR22AM69V6P	Y218728J	10
22 x 58	8	690	FR22AM69V8	N201308J			690	FR22AM69V8P	O219779J	10
22 x 58	10	690	FR22AM69V10	X201822J			690	FR22AM69V10P	S222978J	10
22 x 58	12	690	FR22AM69V12	T211042J			690	FR22AM69V12P	R201311J	10
22 x 58	16	690	FR22AM69V16	M211565J			690	FR22AM69V16P	W211044J	10
22 x 58	20	690	FR22AM69V20	S212076J			690	FR22AM69V20P	W212079J	10
22 x 58	25	690	FR22AM69V25	J212597J			690	FR22AM69V25P	Q213615J	10
22 x 58	32	690	FR22AM69V32	V213113J			690	FR22AM69V32P	X214633J	10
22 x 58	40	690	FR22AM69V40	N213613J			690	FR22AM69V40P	F215653J	10
22 x 58	50	690	FR22AM69V50	R214122J			690	FR22AM69V50P	K216669J	10
22 x 58	63	690	FR22AM69V63	C215650J			500	FR22AM50V63P	B217696J	10
22 x 58	80	690	FR22AM69V80	H216667J			500	FR22AM50V80P	Z218729J	10
22 x 58	100	500	FR22AM50V100	Y217693J			500	FR22AM50V100P	T222979J	10
22 x 58	125	400	FR22AM40V125	J218209J			400	FR22AM40V125P	S201312J	10
22 x 58	Neutral		FRN2258	R213616J				FRN2258	R213616J	10
Fuse extractor			PMCP20+22	K100036A				PMCP20+22	K100036A	1

### Functions

aM curve industrial fuse (green marking) – NF EN 60269-1 and 2-1 compliant.

Direct protection for electrical motors, must be used in combination with another protection device (thermal relay).

Easy selective coordination with upstream gG fuses.

Selective coordination between two fuses two ratings apart (i.e. 160A and 100A).

Breaking capacity: 20 kA for 8.3 x 31.5 fuses - 80 to 120 kA for other sizes at rated voltage.

### Applications

Protection for all low voltage electrical motors with direct-on-line start.



for sizes 10, 14 and 22

**For further information on our ferrule fuse lines, consult our complete technical catalog The Advisor on CD-ROM or on our Web site at**

<http://www.ferrazshawmut.com/en/act-e-advisor.php>

**under the heading IEC general purpose fuses  
> ferrule fuses**

## Modulostar CMS8



Size	CCD configurations	Cat. number w/o indicator light	Ref.number	Cat. number with indicator light	Ref.number	Pckg
8 x 31,5	1	<b>CMS81</b>	X305000K	<b>CMS81I</b>	E305007K	12
8 x 31,5	1+N	<b>CMS81N</b>	Y305001F	<b>CMS81NI</b>	F305008F	6
8 x 31,5	2	<b>CMS82</b>	Z305002F	<b>CMS82I</b>	G305009F	6
8 x 31,5	3	<b>CMS83</b>	A305003D	<b>CMS83I</b>	H305010D	4
8 x 31,5	3+N	<b>CMS83N</b>	B305004C	<b>CMS83NI</b>	J305011C	3
8 x 31,5	4	<b>CMS84</b>	C305005C	<b>CMS84I</b>	K305012C	3
8 x 31,5	N *	<b>CMS810N</b>	D305006K			12

## Modulostar CMS10



Size	CCD configurations	Cat. number w/o indicator light	Ref.number	Cat. number with indicator light	Ref.number	Pckg
10 x 38	1	<b>CMS101</b>	T305020K	<b>CMS101I</b>	A305026K	12
10 x 38	1+N	<b>CMS101N</b>	V305021F	<b>CMS101NI</b>	B305027F	6
10 x 38	2	<b>CMS102</b>	W305022F	<b>CMS102I</b>	C305028F	6
10 x 38	3	<b>CMS103</b>	X305023D	<b>CMS103I</b>	D305029D	4
10 x 38	3+N	<b>CMS103N</b>	Y305024C	<b>CMS103NI</b>	E305030C	3
10 x 38	4	<b>CMS104</b>	Z305025C	<b>CMS104I</b>	F305031C	3

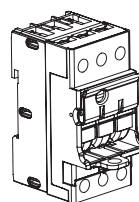
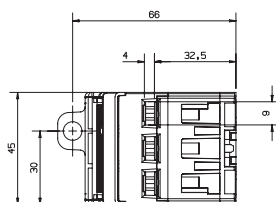
## Modulostar CMSFM10



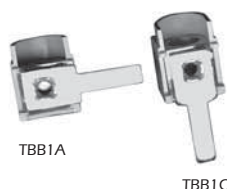
**Compact Fusegear for Motor starter 3pole/45mm**

Nb of pole	Cat Number	Ref.Number	Fonction		Pack
			Fuse Holder	Fuse Discon.	
3 poles	<b>CMSFM10</b>	S302765A	w/o Indicator		1
system /	<b>CMSFM10M</b>	T302766A		w/o Indicator	1
45 mm	<b>CMSFM10I</b>	W302768A	with Indicator		1
width	<b>CMSFM10MI</b>	V302767A		with Indicator	1

Fuse holder is without Prebreaking Microswitch (see accessories)  
Fuse disconnector is with mounted Prebreaking Microswitch

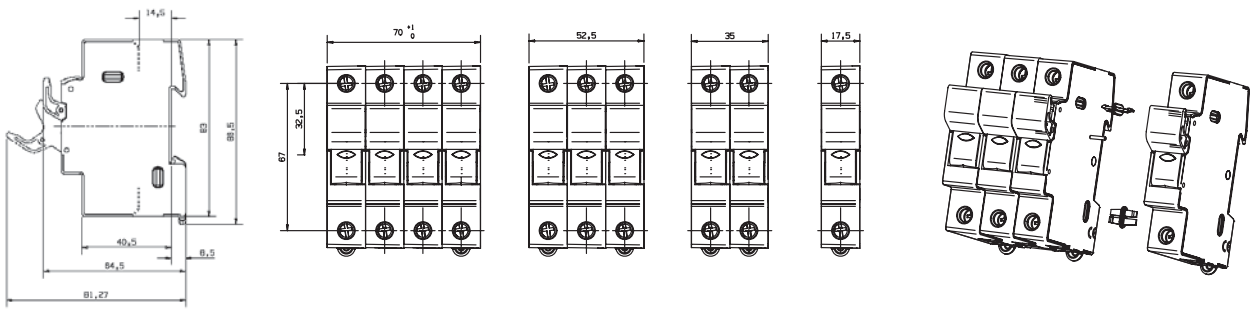


## Accessories for CMS8, CMS10

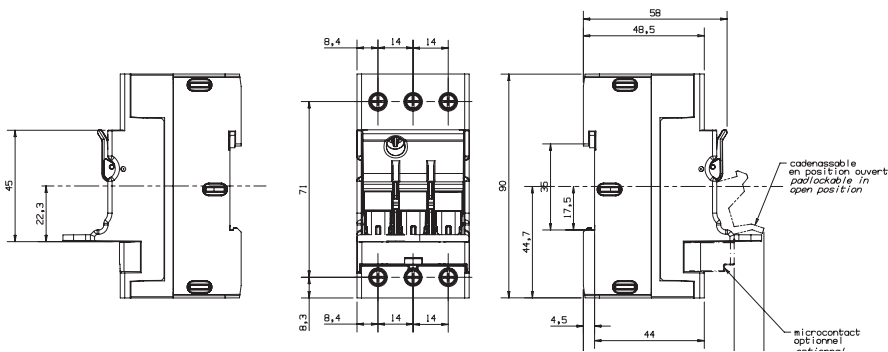


Description	Cat.number	Ref. number	Nb.Modules 17,5 mm	Courant maxi RMS (A)	Nb. of pole	Pckg
Multi-pole assembly kit	<b>CMS810PAK</b>	Z233725K				12
Lock	<b>LOCK</b>	M223525A				1
Locking kit	<b>TAGLOCKCMS810</b>	A235773A				1
Single-phase size 8/10 comb connection	<b>CMS810BB1F13</b>	T210306J	13	63	1	10
2-phase size 8/10 comb connection	<b>CMS810BB2F6</b>	V210307J	6	63	2	10
3-phase size 8/10 comb connection	<b>CMS810BB3F4</b>	W210308J	4	100	3	10
4-phase size 8/10 comb connection	<b>CMS810BB4F3</b>	X210309J	3	100	4	10
Single-pole terminal, side	<b>TBB1C</b>	E210316P		90		50
2/3-pole terminal, side	<b>TBB23C</b>	G210318P		90		50
Single-pole terminal, axial	<b>TBB1A</b>	D210315P		90		50
2/3-pole terminal, axial	<b>TBB23A</b>	F210317P		90		50

## Drawings for CMS8-10



## Drawings for compact fusegear Motor starter



### Accessories

Catalog Number	Reference	Cond.
PLUG3CMSFM	B264041E	5
WBAR2CMSFM	C264042E	5
RDINCCMSFM	D264043A	1
WIRCMSFMC	E264044E	5

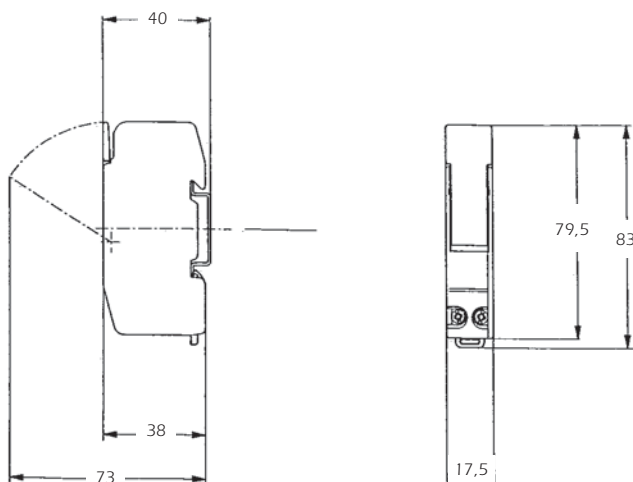
## CCR fuse holder

Size	Number of pole	Cat.number	Reference Number	Number of Mod.	Pckg
10x38	N	<b>CCR810N</b>	Z214635K	1	12
10x38	1	<b>CCR101</b>	N218213K	1	12
10x38	1+N	<b>CCR1N1M</b>	H215655K	1	12
10x38	2	<b>CCR102</b>	X233723F	2	6
10x38	3	<b>CCR103</b>	Y233724D	3	4

Assembly accessories	Cat. Number	Ref.Number	Pckg
CCR multi-pole assembly kit	<b>CMS810PAK</b>	Z233725K	12*

\* 12 per bag

**Compact Fuse Holder**



- Direct mounting on symmetrical DIN rail
- Wire cross sections: 1 x 10mm<sup>2</sup>.
- Compact footprint.
- Insulated to IP 20 standard
- Single-pole weight
  - 8x31 ; 58g
  - 10x38 ; 63g
- Neutral tubes are systematically built in

**With the indicator light a blown fuse can be quickly located if power is still on**

## MSC 10 fuse holder Phase + Neutral (1 mod.)

Fuse holder phase+neutral in a 17.5 mm - width compact module

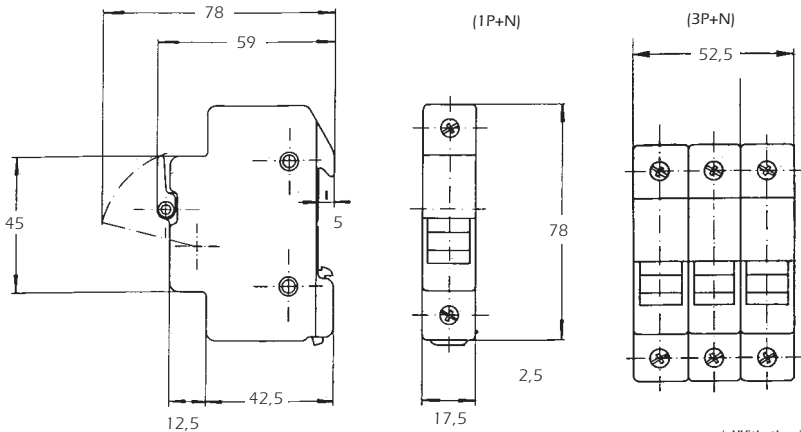
**Compact Fuse Holder**



Nb. of Poles	Model without blown fuse indicator light		Model with blown fuse indicator light		Nb Mod	Pckg
	Cat. Number	Ref. number	Cat. Number	Ref. Number		
1+N	<b>MSC101N1M</b>	Y201317K	<b>MSC101N1MI</b>	C211050K	1	12
3+N	<b>MSC103N3M</b>	S218217D	<b>MSC103N3MI</b>	S226612D	3	4

Assembly accessories	Cat. Number	Ref. Number	Pckg
2-pole pin	<b>MSCMSDMAASS2</b>	G215125J	10*
3-pole pin	<b>MSCMSDMAASS3</b>	Q216145J	10*
4-pole pin	<b>MSCMSDMAASS4</b>	A217166J	10*

\* 10 Pins per bag



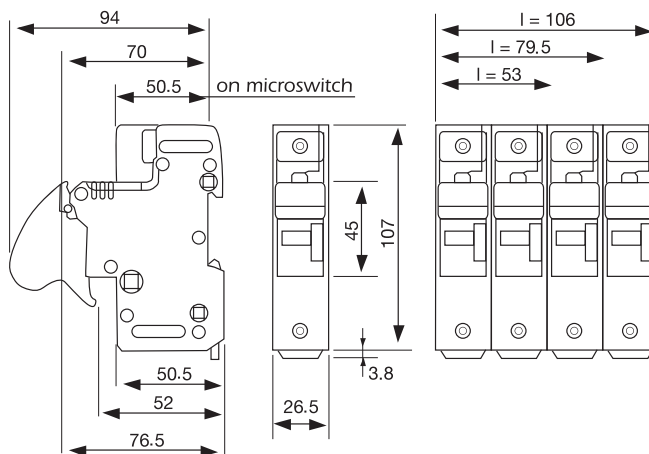
- Direct mounting on symmetrical DIN rail
- Indicator light (120/690V)\*
- Wiring cross sections:
  - single-pole: 1 x 16mm<sup>2</sup>
  - single-pole + neutral: 1 x 10 mm<sup>2</sup>
- Insulated to IP 20 standard
- Single-pole weight
  - 8x31 ; 63 g
  - 8x31 - Ph + N1M ; 63 g
  - 10x38 ; 63 g
  - 10x38 - Ph + N1M ; 68 g

\* With the indicator light a blown fuse can be quickly located if power is still on

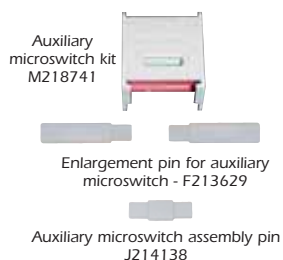
## Modulostar CMS14



Size	CCD configurations	Cat. number w/o indicator light	Ref. number	Cat. number with indicator light	Ref. number	Pckg
14 x 51	1	<b>CMS141</b>	A331016F	<b>CMS141I</b>	L331049F	6
14 x 51	1+N	<b>CMS141N</b>	T331010C	<b>CMS141NI</b>	M331050C	3
14 x 51	2	<b>CMS142</b>	R331031C	<b>CMS142I</b>	M331004C	3
14 x 51	3	<b>CMS143</b>	J212091B	<b>CMS143I</b>	K331071B	2
14 x 51	3+N	<b>CMS143N</b>	D331042A	<b>CMS143NI</b>	Q331007A	1
14 x 51	4	<b>CMS144</b>	F331021A			1
14 x 51	N	<b>CMS14N</b>	T331056F			6
14 x 51 for fuses with striker	1			<b>CMS141AC</b>	F331044F	6
14 x 51 with microswitches (+ pre-isolation)	1	<b>CMS141M</b>	Z331038F	<b>CMS141MI</b>	S331055F	6
	2 (2 switches)	<b>CMS142M</b>	A331062C	<b>CMS142MI</b>	X331036C	3
	3	<b>CMS143M</b>	F331067B	<b>CMS143MI</b>	P331006B	2
(for fuses with striker)	3 (2 switches)	<b>CMS143M2</b>	H331069B	<b>CMS143M2I</b>	Y331037B	2
	3+N	<b>CMS143NM</b>	E331043A	<b>CMS143NMI</b>	Y331037A	1



## Accessories for CMS14



Description	Cat.number	Ref. number	Nb.Modules 17,5 mm	Pckg
Single-pole CMS14 auxiliary microswitch kit	<b>CMS14W1</b>	M218741	1.5	1
3-pole CMS14 auxiliary microswitch kit	<b>CMS14W2</b>	C219261	4.5	1
3-pole CMS14 2 auxiliary microswitch kit	<b>CMS14W3</b>	D219791	4.5	1
Auxiliary microswitch assembly pin (between 2 auxiliary microswitch kits)	<b>CMS1422PTH</b>	J214138		10
Enlargement pin for auxiliary microswitches	<b>CMS14BP</b>	F213629		10
Multi-pole assembly kit	<b>CMS1422PAK</b>	Z218223		10
Indicator light kit	<b>CMS14LIH</b>	A225653		1
Lock	<b>CMS14LOK</b>	M223525		1

## Modulostar CMS22



Size	CCD configurations	Cat. number w/o indicator light	Ref. number	Cat. number with indicator light	Ref. number	Pckg
22 x 58	1	<b>CMS221</b>	T331079F	<b>CMS221I</b>	B331086F	6
22 x 58	1+N	<b>CMS221N</b>	H331092C	<b>CMS221NI</b>	S215158C	3
22 x 58	2	<b>CMS222</b>	Q331122C	<b>CMS222I</b>	D331134C	3
22 x 58	3	<b>CMS223</b>	E331135B	<b>CMS223I</b>	D331134B	2
22 x 58	3+N	<b>CMS223N</b>	A331108A	<b>CMS223NI</b>	A218224A	1
22 x 58	4	<b>CMS224</b>	Q331099A			1
22 x 58	N	<b>CMS22N</b>	K331094F			6
22 x 58 for fuses with striker	1			<b>CMS22AC</b>	V331103F	6
22 x 58 with microswitches (+ pre-isolation) (for fuses with striker)	1	<b>CMS221M</b>	D219262F	<b>CMS221MI</b>	N331074F	6
	2 (2 switches)	<b>CMS222M</b>	E219792C	<b>CMS222MI</b>	P331098C	3
	3	<b>CMS223M</b>	Q222470B	<b>CMS223MI</b>	E331112B	2
	3 (2 switches)	<b>CMS223M2</b>	H222992B	<b>CMS223M2I</b>	E331112B	2
	3+N	<b>CMS223NM</b>	P200780A	<b>CMS223NMI</b>	W331104A	1



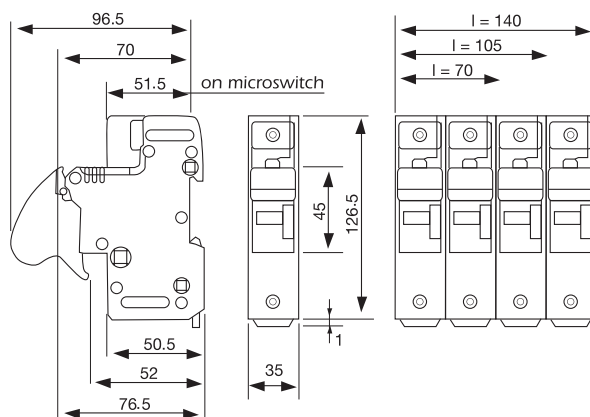
Fuse Holder

## Accessories CMS22

Description	Cat.number	Ref. number	Nb.Modules 17,5 mm	Pckg
Single-pole CMS22 auxiliary microswitch kit	<b>CMS22W1</b>	E211581	2	1
3-pole CMS22 auxiliary microswitch kit	<b>CMS22W2</b>	L212093	6	1
3-pole CMS22 2 auxiliary microswitch kit	<b>CMS22W3</b>	B212613	6	1
Auxiliary microswitch assembly pin (between 2 auxiliary microswitch kits)	<b>CMS1422PTH</b>	J214138		10
Enlargement pin for auxiliary microswitches	<b>CMS14BP</b>	F213629		10
Multi-pole assembly kit	<b>CMS1422PAK</b>	Z218223		10
Indicator light kit	<b>CMS14LIH</b>	A225653		1
Lock	<b>CMS14LOK</b>	M223525		1



## Drawings for CMS22



## Fuse Monitoring for DIN Rail mounting



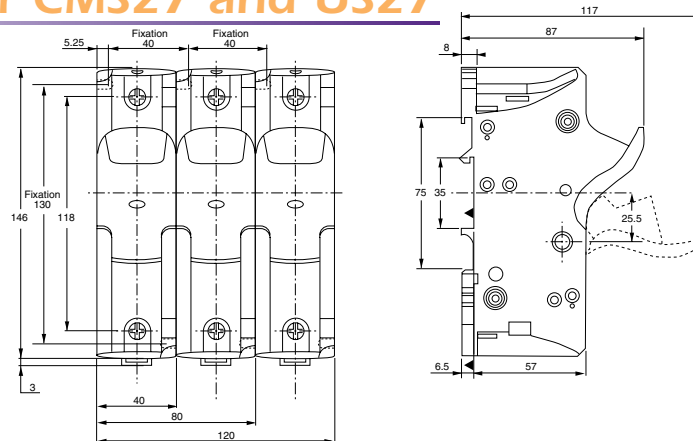
Cat Number	Ref.number	Rated voltage [Vac]	Mounting on	Weight [kg]	Pack [pcs]
FM100/260RD	S236824A	100...260	Rail DIN	0.19	1
FM380/690RD	T236825A	380...690	Rail DIN	0.19	1

## Modulostar CMS27



Size	CCD configurations	Cat. number w/o indicator light	Ref.number	Pckg
27 x 60	1	<b>CMS271</b>	R210580C	3
27 x 60	1+N	<b>CMS271N</b>	S210581A	1
27 x 60	N	<b>CMS27N</b>	B210152C	3
27 x 60	2	<b>CMS272</b>	T210582A	1
27 x 60	3	<b>CMS273</b>	V210583A	1

## Drawings for CMS27 and US27



For further information on our brand new Modulostar range for ferrule-style fuses, consult our complete technical catalog The Advisor on CD-ROM or on our Web site at

<http://www.ferrazshawmut.com/en/act-e-advisor.php>

under the heading **Gears & Fuse Gears**  
 > for IEC general purpose fuses  
 > for ferrule-style fuses